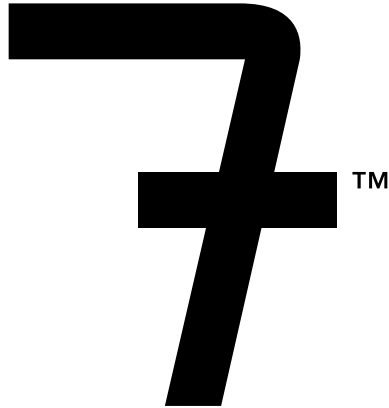


**NOTE:** This PDF document includes interactive bookmarks, page numbers and tabs for easy click-through navigation.

**CLICK HERE** for more information on navigating within this PDF document.



## SEVEN | PRODUCT PRICE LIST / DECEMBER 2010

### GENERAL SERVICES ADMINISTRATION

Federal Acquisition Service

Authorized Federal Supply Schedule Price List

On-line access to contract ordering information, terms and conditions, up-to-date pricing, and the option to create an electronic delivery order are available through GSA Advantage!, a menu-driven database system. The INTERNET address GSA Advantage! is [GSAAvantage.gov](http://GSAAvantage.gov).

FSC Group 71, Part I, Office Furniture

FSC Class 7110

Contract Number: GS-29F-0109G

Contract Period: 10/01/06 - 09/30/11

For more information on ordering from Federal Supply Schedules click on the FSS Schedules button at [fss.gsa.gov](http://fss.gsa.gov).

### WATSON FURNITURE GROUP

26246 Twelve Trees Lane NW

Poulsbo, WA 98370

Phone: (360) 394-1300

Fax: (360) 394-1322

Toll Free: (800) 426-1202

Website: [www.watsondesking.com](http://www.watsondesking.com)

Business Size: Small

## WATSON FURNITURE GROUP

FSC Group 71, Part 1 Office Furniture  
FSC Class 7110  
GSA Contract – GS-29F-0109G  
Contract Period: 10/01/2006 – 09/30/2011  
Business Size: Small

Watson Furniture Group  
26246 Twelve Trees Lane NW  
Poulsbo, WA 98370  
Phone: 360-394-1300  
Fax: 360-394-1322  
Toll Free: 800-426-1202

### ORDERING INFORMATION

#### **WATSON DESKING**

Watson Desking brand includes – Miro, M2, Fusion and ActiveWerks

- |     |                               |   |       |
|-----|-------------------------------|---|-------|
| 1a. | SPECIAL ITEM NUMBERS (S.I.N.) | 711-11 Tables and Accessories   |       |
|     |                               | 711-2 Worksurface, Workstations, Computer Furniture Accessories   |       |
|     |                               | 711-3 Filing & Storage Cabinets, Shelves, Mobile Carts, Dollies, Racks & Accessories  |       |
|     |                               | 711-95 Installation – Case-by-Case  |       |
|     |                               | 711-95 Design and Layout - \$55/hr  |       |
| 1b. | LOWEST PRICED MODEL:          | 711-11 XFI3426  | \$224 |
|     |                               | 711-2 DASN  | \$1   |
|     |                               | 711-3 SMP24   | \$127 |
| 2.  | MAXIMUM ORDER LIMITATION:     | \$500,000   |       |
| 3.  | MINIMUM ORDER:                | \$100   |       |
| 4.  | GEOGRAPHIC COVERAGE:          | 48 Contiguous States, Washington DC and Port of Exportation for Alaska, Hawaii and Puerto Rico  |       |
| 5.  | POINT OF PRODUCTION:          | Poulsbo, Washington   |       |
| 6.  | DISCOUNT FROM LIST PRICE      | 58.1% Freight included for orders over \$6,285 GSA net.   |       |
|     |                               | 60.7% To Western Washington, the metro areas of Portland, Salem and Eugene, Oregon, freight Included for orders over \$6,285 GSA net. |       |
|     |                               | 63.3% For customers in Western Washington, the Areas of Portland, Salem, and Eugene, Oregon requesting freight FOB Watson.            |       |
|     |                               | a. Customer Will-Calls Order  |       |
|     |                               | b. Customer Self-Contracts Freight  |       |

7. QUANTITY DISCOUNTS: \$300,000 - \$399,999 Additional 1%  
\$400,000 - \$449,999 Additional 2%  
\$450,000 - \$500,000 Additional 3%
8. PROMPT PAYMENT TERMS: 5% 10 Days, 2% 20 Days, Net 30 (Terms available Based on Watson invoice date only)
9. GOVERNMENT CREDIT CARDS: Accepted For All Purchase Thresholds
10. FOREIGN ITEMS: None
- 11a. TIME OF DELIVERY: 45-60 Days ARO  
11b. EXPEDITED DELIVERY: N/A
- 11c. OVERNIGHT & 2-DAY DELIVERY N/A
- 11d. URGENT REQUIREMENTS: Inquire with Watson Factory at (800) 426-1202.
12. F.O.B. POINT: Poulsbo, Washington, FOB Destination for all points within the contiguous United States, Washington DC and Port of Exportation for Alaska, Hawaii, and Puerto Rico on orders over \$6285 GSA net.
- 13a. ORDERING ADDRESS: Watson Furniture Group  
26246 Twelve Trees Lane NW  
Poulsbo, WA 98370
- 13b. ORDERING PROCEDURES: All orders must be submitted in writing. Watson does not accept an order until the order is verified complete by a Watson Project Manager, which will include price information and anticipated arrival date. The Order Confirmation of the contract between the customer and Watson Furniture Group.
14. REMIT TO ADDRESS: Watson Furniture Group  
26246 Twelve Trees Lane NW  
Poulsbo, WA 98370
15. WARRANTY PROVISIONS: Lifetime (contact Watson Factory for more details)
16. EXPORT PACKAGING CHARGES: Contact Contractor for Export Packaging
17. TERMS & CONDITIONS OF GOVERNMENT PURCHASE CARD ACCEPTANCE: None
18. TERMS & CONDITIONS OF RENTAL MAINTENANCE AND REPAIR: None
19. TERMS & CONDITIONS OF INSTALLATION: All units are shipped KD (disassembled). Contact Contractor for pricing and scheduling of Installation.

- |      |                                     |   |
|------|-------------------------------------|---|
| 20.  | TERMS & CONDITIONS OF REPAIR PARTS: | N/A – Contact Contractor                              |
| 21.  | LIST OF SERVICES:                   | N/A   |
| 22.  | LIST OF PARTICIPATING DEALERS:      | Please contact Watson factory at (800) 426-1202.      |
| 23.  | PREVENTATIVE MAINTANENCE:           | N/A   |
| 24a. | ENVIRONMENTAL ATTRIBUTES            | Yes. Please contact Watson factory at (800) 426-1202. |
| 24b. | YEAR 2000 COMPLIANT:                | N/A   |
| 25.  | DUNS NUMBER:                        | 009479296   |
| 26.  | CCR DATABASE REGISTRATION:          | Yes. Cage Code 7N051                                  |

## CONTENTS

INTRODUCTION	04
DESKS	05
How to Specify	06
Extended Corner 24	08
Extended Corner 30	08
Rectangle	09
Inset	09
Guest Conference	10
ACCESSORIES	11
Dividing Screen	12
Modesty Shield	13
Vertical Cable Channel	14
Cable Harness	14
PRODUCT INFORMATION	15
Universal Handedness	16
Surface Interlock Assembly	17
Solid State Construction / Maximum Clearance	18
Utility Beam / Cable Management	19
Dividing Screen / Modesty Shield	20
Adjustment Options	21
Environmentally Preferred Materials	22
MATERIALS & SPECIFICATIONS	23
TERMS & CONDITIONS	24
FINISHES	26

## INTRODUCTION

### **Seven from Watson Desking: Essential Furniture for Lean Organizations**

Seven's innovative design allows facility professionals to manage inventories of contoured surface shapes without regard to handedness. Seven's worksurfaces are seamlessly finished on both sides; simply flip the surface and the left-hand becomes the right and vice-versa.

No more need for traditional rectangles that may be easy to manage, but do not respond to the needs of the user. Seven's desk shapes integrate with Watson Desking storage for cubicle infill applications. The restrained design and low profile foot blend with a variety of contemporary environments.

Along a spine wall or in open plan applications, Seven's Dividing Screens provide light scale space division with two heights available. Seven's Dividing Screens offer a single tool assembly, but once assembled, the screens may be repositioned along the utility beam without tools.

Specify Seven's vertical cable channel raceway to shroud cables along the leg.

#### **Image Notes**

Desk shapes this page are shown with ped bay. Tables 69 inches and longer include ped bay. Crank handle location is always on the shallow end (24 inch) of the desk.





# HOW TO SPECIFY

**Product Dimensions**

**Product Code**

**Product Options**  
Base, Smartgrain/Standard Finish, Edge, etc.

**Finish Options**  
Surface, Edge and Base

**Product Code Indicators**  
Boxes available to fill out a complete product code.

**Index Tabs**  
Reference sections throughout the price list.

**Upgrade Options and Notes**  
Reference important upgrades or notes that can affect your order.

**Desks**    **SVDXCA4854** | **U** | **A** | **Z** | **JC** | **CH** | **WA**

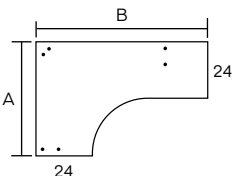
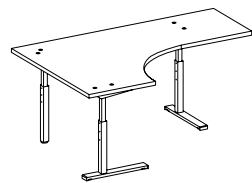
Product  
Base Style  
Smartgrain/Standard  
Edge Style  
Surface Finish  
Edge Finish  
Base Finish

## DESKS

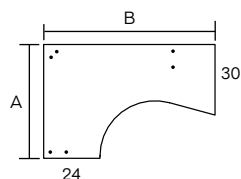
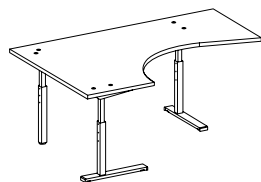
Extended Corner 24	08
Extended Corner 30	08
Rectangle	09
Inset	09
Guest Conference	10

DESKS

Product	Product		Smart-grain		Edge	Finishes				
	Side A	Side B	Front Crank 22-33   26-39 U G	Notch 22-33   26-39 J E	Fixed 29.5 D	Smart-grain (+ \$100) Yes = A No = S	Surface	Edge	Base	
	48 = 48" 51 = 51" 54 = 54" 57 = 57" 60 = 60"									
SVDXCA	<input type="checkbox"/>	54	2305	1720	1505	<input type="checkbox"/>	Z	<input type="checkbox"/>	<input type="checkbox"/>	<input type="checkbox"/>
SVDXCA	<input type="checkbox"/>	57	2315	1730	1515	<input type="checkbox"/>	Z	<input type="checkbox"/>	<input type="checkbox"/>	<input type="checkbox"/>
SVDXCA	<input type="checkbox"/>	60	2315	1730	1515	<input type="checkbox"/>	Z	<input type="checkbox"/>	<input type="checkbox"/>	<input type="checkbox"/>
SVDXCA	<input type="checkbox"/>	63	2320	1735	1520	<input type="checkbox"/>	Z	<input type="checkbox"/>	<input type="checkbox"/>	<input type="checkbox"/>
SVDXCA	<input type="checkbox"/>	66	2320	1735	1520	<input type="checkbox"/>	Z	<input type="checkbox"/>	<input type="checkbox"/>	<input type="checkbox"/>
SVDXCA	<input type="checkbox"/>	69	2330	1745	1530	<input type="checkbox"/>	Z	<input type="checkbox"/>	<input type="checkbox"/>	<input type="checkbox"/>
SVDXCA	<input type="checkbox"/>	72	2330	1745	1530	<input type="checkbox"/>	Z	<input type="checkbox"/>	<input type="checkbox"/>	<input type="checkbox"/>
SVDXCA	<input type="checkbox"/>	75	2490	1905	1690	<input type="checkbox"/>	Z	<input type="checkbox"/>	<input type="checkbox"/>	<input type="checkbox"/>
SVDXCA	<input type="checkbox"/>	78	2490	1905	1690	<input type="checkbox"/>	Z	<input type="checkbox"/>	<input type="checkbox"/>	<input type="checkbox"/>
SVDXCA	<input type="checkbox"/>	81	2550	1965	1750	<input type="checkbox"/>	Z	<input type="checkbox"/>	<input type="checkbox"/>	<input type="checkbox"/>
SVDXCB	<input type="checkbox"/>	69	2330	1745	1530	<input type="checkbox"/>	Z	<input type="checkbox"/>	<input type="checkbox"/>	<input type="checkbox"/>
SVDXCB	<input type="checkbox"/>	72	2330	1745	1530	<input type="checkbox"/>	Z	<input type="checkbox"/>	<input type="checkbox"/>	<input type="checkbox"/>
SVDXCB	<input type="checkbox"/>	75	2490	1905	1690	<input type="checkbox"/>	Z	<input type="checkbox"/>	<input type="checkbox"/>	<input type="checkbox"/>
SVDXCB	<input type="checkbox"/>	78	2490	1905	1690	<input type="checkbox"/>	Z	<input type="checkbox"/>	<input type="checkbox"/>	<input type="checkbox"/>
SVDXCB	<input type="checkbox"/>	81	2550	1965	1750	<input type="checkbox"/>	Z	<input type="checkbox"/>	<input type="checkbox"/>	<input type="checkbox"/>



**EXTENDED CORNER 24**  
Shown as Right Hand



**EXTENDED CORNER 30**  
Shown as Right Hand

PRODUCT NOTES

Grain Direction runs the B length of the worksurface.

Extended Corner tables 69 inches and longer include pedestal bay.

Tables 57 inches, 63 inches, 69 inches, 75 inches, 81 inches long are sized to mate with 15 inch wide towers.

Tables are unhandled, and can be assembled in a left-handed or right-handed configuration.

EDGE



**90 Edge**  
3mm ABS edge

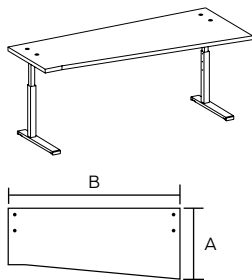
**Premium Laminates**

Smartgrain laminates feature a unique finish with gloss and texture similar to real-wood laminates. See page 26 for details.

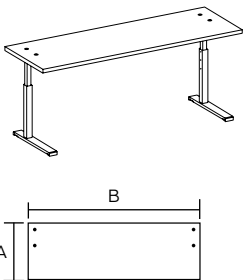
INDEX

SURFACE INTERLOCK ASSEMBLY™	17
UTILITY BEAM / CABLE MANAGEMENT	19
DIVIDING SCREEN / MODESTY SHIELD	20
ADJUSTMENT OPTIONS	21
FINISHES	26

DESKS



**INSET**  
Shown as Right Hand



**RECTANGLE**

A / B		Product	Front Crank 22-33   26-39 <b>U</b>   <b>G</b>	Notch 22-33   26-39 <b>J</b>   <b>E</b>	Fixed 29.5 <b>D</b>	Smart-grain (+ \$100) Yes = A No = S	Edge	Finishes		
			\$	\$	\$			Surface	Edge	Base
30	24	SVDXIN3024	1300	890	745	<input type="checkbox"/>	Z	<input type="checkbox"/> <input type="checkbox"/>	<input type="checkbox"/> <input type="checkbox"/>	<input type="checkbox"/> <input type="checkbox"/>
30	30	SVDXIN3030	1345	935	790	<input type="checkbox"/>	Z	<input type="checkbox"/> <input type="checkbox"/>	<input type="checkbox"/> <input type="checkbox"/>	<input type="checkbox"/> <input type="checkbox"/>
30	36	SVDXIN3036	1350	940	795	<input type="checkbox"/>	Z	<input type="checkbox"/> <input type="checkbox"/>	<input type="checkbox"/> <input type="checkbox"/>	<input type="checkbox"/> <input type="checkbox"/>
30	42	SVDXIN3042	1395	985	840	<input type="checkbox"/>	Z	<input type="checkbox"/> <input type="checkbox"/>	<input type="checkbox"/> <input type="checkbox"/>	<input type="checkbox"/> <input type="checkbox"/>
30	48	SVDXIN3048	1405	995	850	<input type="checkbox"/>	Z	<input type="checkbox"/> <input type="checkbox"/>	<input type="checkbox"/> <input type="checkbox"/>	<input type="checkbox"/> <input type="checkbox"/>
30	54	SVDXIN3054	1485	1075	930	<input type="checkbox"/>	Z	<input type="checkbox"/> <input type="checkbox"/>	<input type="checkbox"/> <input type="checkbox"/>	<input type="checkbox"/> <input type="checkbox"/>
30	60	SVDXIN3060	1545	1135	990	<input type="checkbox"/>	Z	<input type="checkbox"/> <input type="checkbox"/>	<input type="checkbox"/> <input type="checkbox"/>	<input type="checkbox"/> <input type="checkbox"/>
30	66	SVDXIN3066	1550	1140	995	<input type="checkbox"/>	Z	<input type="checkbox"/> <input type="checkbox"/>	<input type="checkbox"/> <input type="checkbox"/>	<input type="checkbox"/> <input type="checkbox"/>
30	72	SVDXIN3072	1560	1150	1005	<input type="checkbox"/>	Z	<input type="checkbox"/> <input type="checkbox"/>	<input type="checkbox"/> <input type="checkbox"/>	<input type="checkbox"/> <input type="checkbox"/>
24	24	SVDXRE2424	1270	860	715	<input type="checkbox"/>	Z	<input type="checkbox"/> <input type="checkbox"/>	<input type="checkbox"/> <input type="checkbox"/>	<input type="checkbox"/> <input type="checkbox"/>
24	30	SVDXRE2430	1310	900	755	<input type="checkbox"/>	Z	<input type="checkbox"/> <input type="checkbox"/>	<input type="checkbox"/> <input type="checkbox"/>	<input type="checkbox"/> <input type="checkbox"/>
24	36	SVDXRE2436	1320	910	765	<input type="checkbox"/>	Z	<input type="checkbox"/> <input type="checkbox"/>	<input type="checkbox"/> <input type="checkbox"/>	<input type="checkbox"/> <input type="checkbox"/>
24	42	SVDXRE2442	1365	955	810	<input type="checkbox"/>	Z	<input type="checkbox"/> <input type="checkbox"/>	<input type="checkbox"/> <input type="checkbox"/>	<input type="checkbox"/> <input type="checkbox"/>
24	48	SVDXRE2448	1375	965	820	<input type="checkbox"/>	Z	<input type="checkbox"/> <input type="checkbox"/>	<input type="checkbox"/> <input type="checkbox"/>	<input type="checkbox"/> <input type="checkbox"/>
24	54	SVDXRE2454	1455	1045	900	<input type="checkbox"/>	Z	<input type="checkbox"/> <input type="checkbox"/>	<input type="checkbox"/> <input type="checkbox"/>	<input type="checkbox"/> <input type="checkbox"/>
24	60	SVDXRE2460	1460	1050	905	<input type="checkbox"/>	Z	<input type="checkbox"/> <input type="checkbox"/>	<input type="checkbox"/> <input type="checkbox"/>	<input type="checkbox"/> <input type="checkbox"/>
24	66	SVDXRE2466	1520	1110	965	<input type="checkbox"/>	Z	<input type="checkbox"/> <input type="checkbox"/>	<input type="checkbox"/> <input type="checkbox"/>	<input type="checkbox"/> <input type="checkbox"/>
24	72	SVDXRE2472	1530	1120	975	<input type="checkbox"/>	Z	<input type="checkbox"/> <input type="checkbox"/>	<input type="checkbox"/> <input type="checkbox"/>	<input type="checkbox"/> <input type="checkbox"/>

PRODUCT NOTES

Grain Direction runs the B length of the worksurface.

Tables are unhandled, and can be assembled in a left-handed or right-handed configuration.

EDGE



**90 Edge**  
3mm ABS edge

**Premium Laminates**

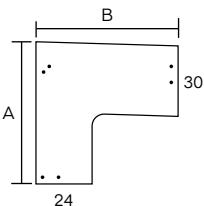
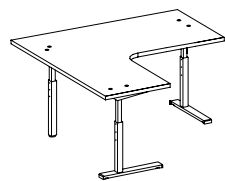
Smartgrain laminates feature a unique finish with gloss and texture similar to real-wood laminates. See page 26 for details.

INDEX

<b>SURFACE INTERLOCK ASSEMBLY™</b>	<b>17</b>
<b>UTILITY BEAM / CABLE MANAGEMENT</b>	<b>19</b>
<b>DIVIDING SCREEN / MODESTY SHIELD</b>	<b>20</b>
<b>ADJUSTMENT OPTIONS</b>	<b>21</b>
<b>FINISHES</b>	<b>26</b>

DESKS

Product		Smart-grain	Edge	Finishes				
A / B	Product	Front Crank 22-33   26-39 <b>U</b>   <b>G</b>	Notch 22-33   26-39 <b>J</b>   <b>E</b>	Fixed 29.5 <b>D</b>	Smart-grain (+ \$100) Yes = A No = S	Surface	Edge	Base
		\$	\$	\$				
60 54	SVDXGC6054	2315	1730	1515	<input type="checkbox"/>	Z	<input type="checkbox"/>	<input type="checkbox"/>
60 60	SVDXGC6060	2320	1735	1520	<input type="checkbox"/>	Z	<input type="checkbox"/>	<input type="checkbox"/>
60 72	SVDXGC6072	2340	1755	1540	<input type="checkbox"/>	Z	<input type="checkbox"/>	<input type="checkbox"/>



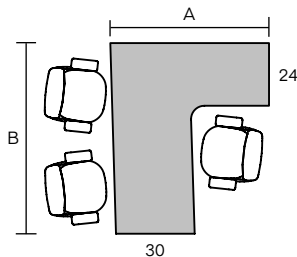
**GUEST CONFERENCE**  
Shown as Right Hand

PRODUCT NOTES

Side B of guest conference tables do not accept dividing screens.

Side B of guest conference tables accepts modesty shields at a recessed depth to accommodate guest seating with leg clearance.

Tables are unhandred, and can be assembled in a left-handed or right-handed configuration.



INDEX

<b>SURFACE INTERLOCK ASSEMBLY™</b>	<b>17</b>
<b>UTILITY BEAM / CABLE MANAGEMENT</b>	<b>19</b>
<b>DIVIDING SCREEN / MODESTY SHIELD</b>	<b>20</b>
<b>ADJUSTMENT OPTIONS</b>	<b>21</b>
<b>FINISHES</b>	<b>26</b>

## ACCESSORIES

Dividing Screen	12
Modesty Shield	13
Vertical Cable Channel	14
Cable Harness	14

ACCESSORIES

Product

Finishes

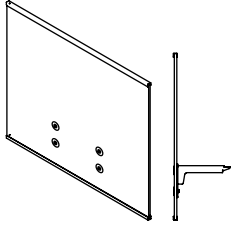
H / W

Price

Fabric

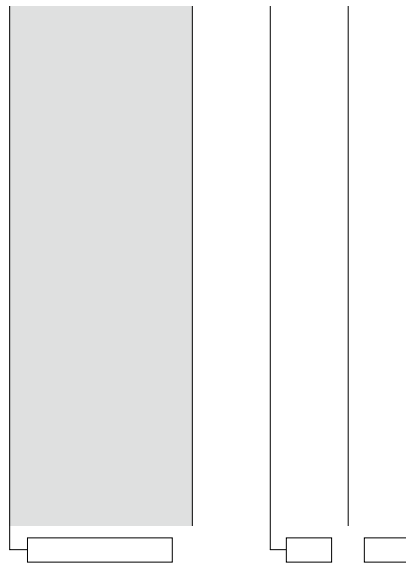
Powder

\$



DIVIDING SCREEN \*

For desk-mounted privacy options, contact Watson Customer Service at 800.426.1202.



PRODUCT NOTES

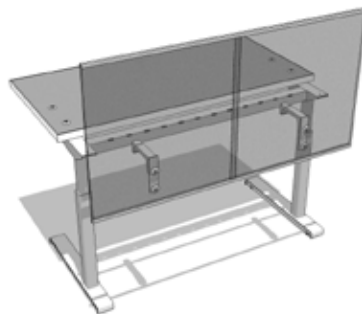
\*Dividing Screen is **not** compatible with Power Adjustable Tables. Contact Customer Service for alternative privacy options.

Dividing screen is mounted to each bracket with two surface interlocks with zinc screws.

Panels are made of 3/8 inch thick 100% fiber board and textile covered.

Powdercoated utility beam is slotted to receive screen bracket.

Dividing screen is available in two heights, 24 inches and 19 inches.



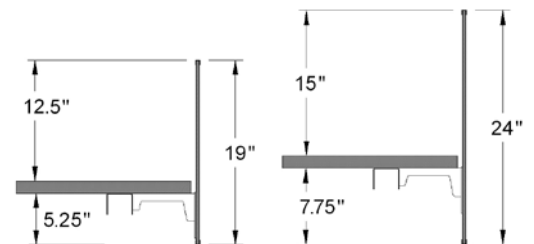
INDEX

DIVIDING SCREEN

22

FINISHES

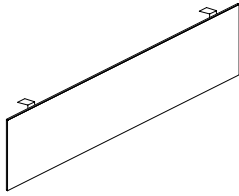
28



ACCESSORIES

Product

Finishes

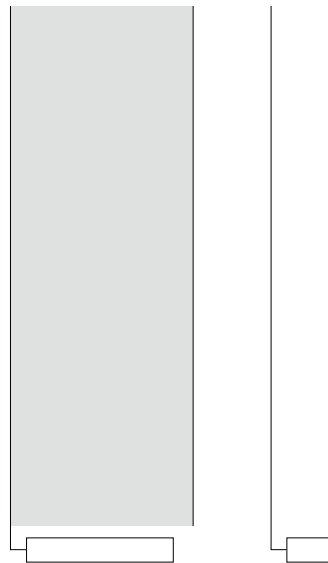


MODESTY SHIELD \*

H / W

	Price	Powder
	\$	

For desk-mounted privacy options, contact Watson Customer Service at 800.426.1202.



PRODUCT NOTES

\* Modesty Shield is **not** compatible with Power Adjustable Tables. Contact Customer Service for alternative privacy options.

Modesty shield is powdercoated steel with gray fabric liner (user facing). Fabric dampens sound.

Modesty shield mounts to utility beam with brackets. Width is 6 inches less than nominal dimension.

Order Modesty shields 6 inches shorter than the ordered worksurface.



INDEX

MODESTY SHIELD	20
FINISHES	26

ACCESSORIES

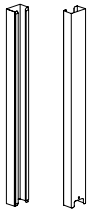
Product

Finishes

H / W

Price

Powder

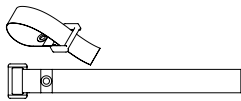


**VERTICAL CABLE CHANNEL**

17 -  
21 -  
24 -

SVCCH17  
SVCCH21  
SVCCH24

\$  
75  
80  
85



**CABLE HARNESS**  
Set of 5

-

SVHAR5

30

-

PRODUCT NOTES

Vertical cable channel uses a magnetic powdercoated steel formed cover to conceal and guide cables along leg.

INDEX

*DIVIDING SCREEN*

20

*FINISHES*

26

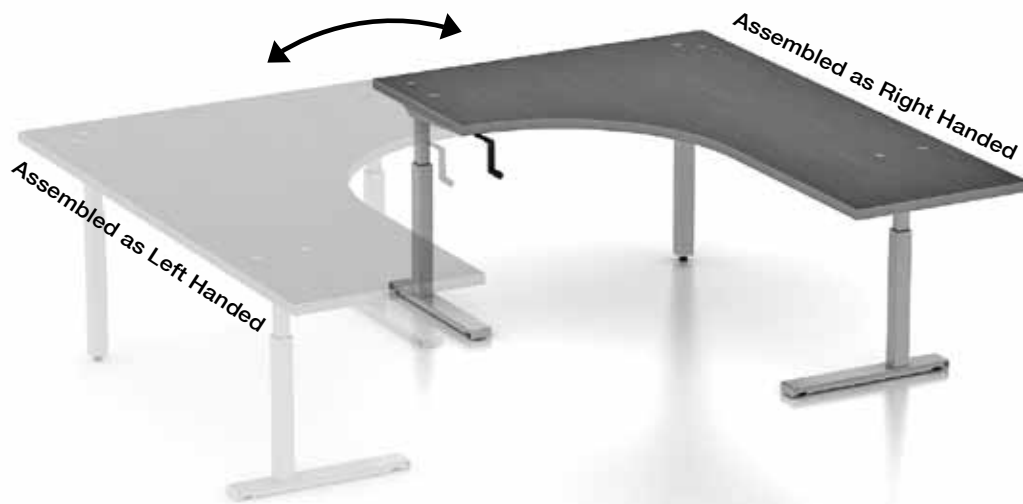
## PRODUCT INFORMATION

Universal Handedness	16
Surface Interlock Assembly™	17
Solid State Construction / Maximum Clearance	18
Utility Beam / Cable Management	19
Dividing Screen / Modesty Shield	20
Adjustment Options	21
Environmentally Preferred Materials	22
MATERIALS & SPECIFICATIONS	23
TERMS & CONDITIONS	24
FINISHES	26

## UNIVERSAL HANDEDNESS

### DESIGN INTENT:

Handed worksurfaces solve real user needs with natural contours that create a comfortable body pocket with enhanced visual and physical reach, particularly useful in today's multi-device digital world. Seven's worksurfaces are seamlessly finished on both sides; simply flip the surface and the left-hand becomes the right and vice-versa.



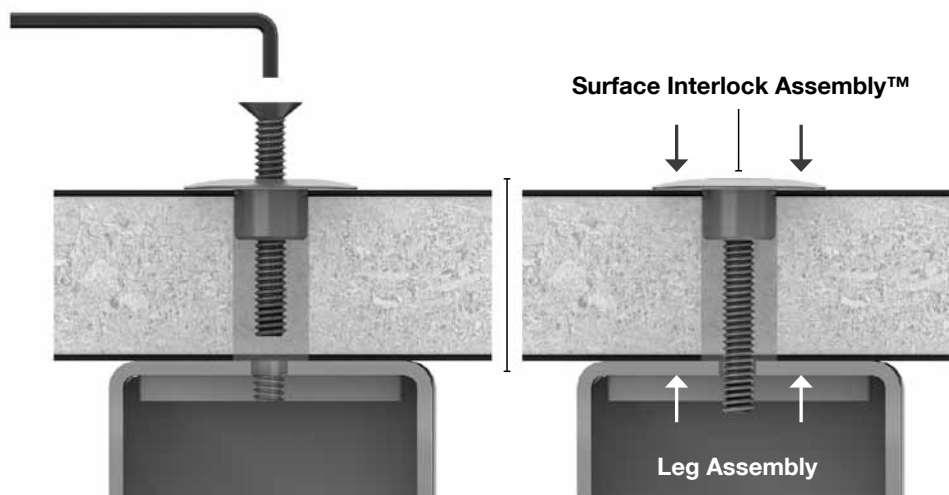
## SURFACE INTERLOCK ASSEMBLY™

### DESIGN INTENT:

Our patent pending Surface Interlock Assembly™ provides a mechanical connection between the worksurface and the base. Right handed or left handed, your surface will bear no markings from its previous assembly.

The compressive force of this interlock provides unequaled strength to the table, while its pleasing appearance reflects Seven's smart design.

And of course – Seven exceeds BIFMA requirements.

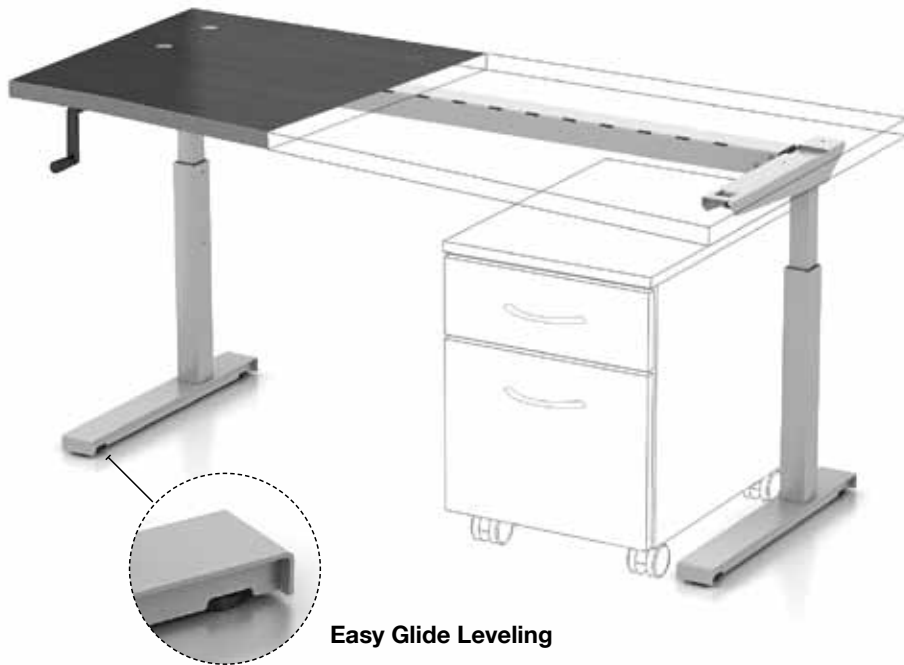


## SOLID STATE CONSTRUCTION / MAXIMUM CLEARANCE

### DESIGN INTENT:

Seven's base design contains no decorative plastic parts and pieces to break or fall off. That means fewer headaches for inventory management and fewer problems for installers.

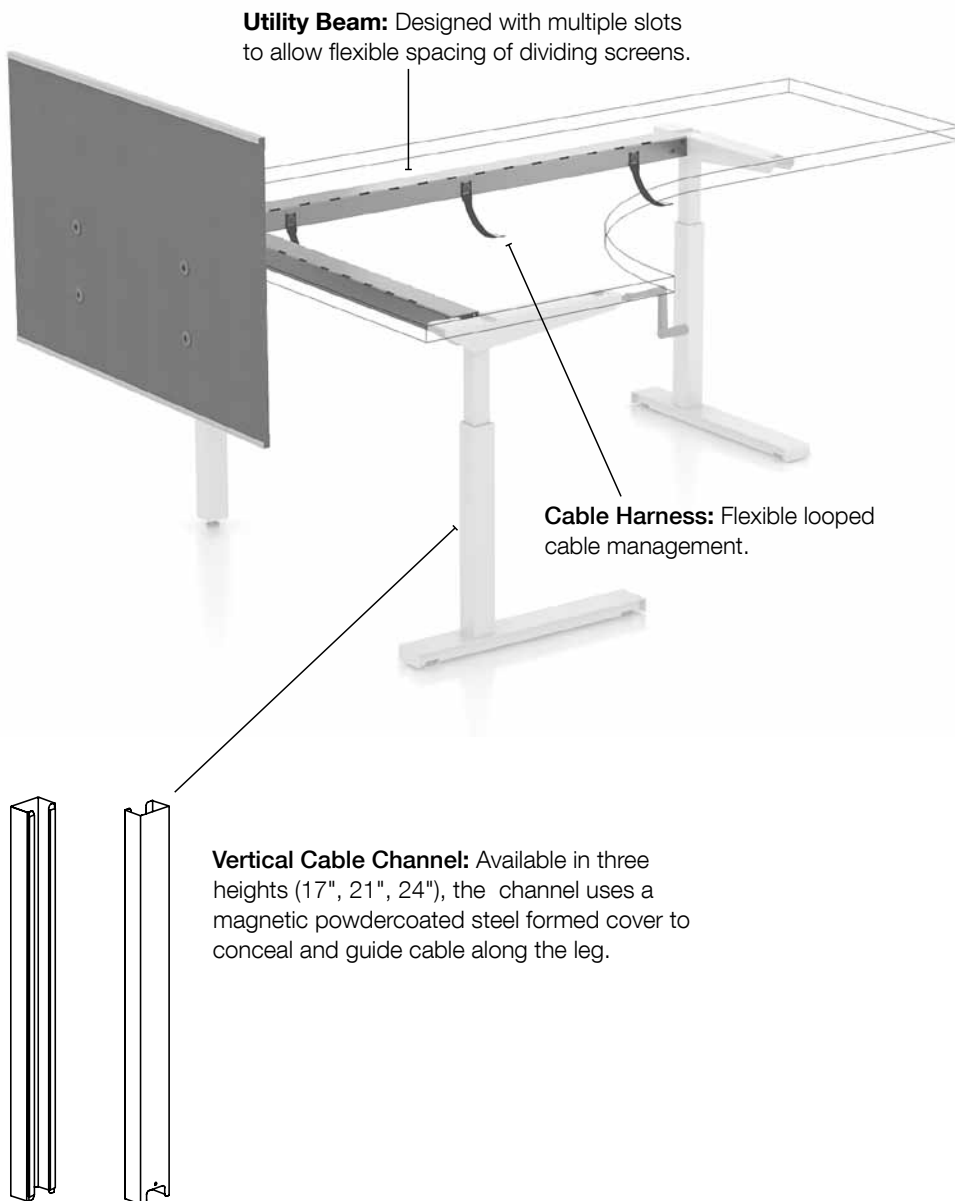
Seven was designed with the user in mind. The compressive strength of the Surface Interlock Assembly™ is so robust the need for a knee-height cross rail was eliminated. User leg clearance is assured and storage units dock easily without interference. Seven's unique foot is the lowest profile in the industry and allows external side access to glide leveling.



## UTILITY BEAM / CABLE MANAGEMENT

### DESIGN INTENT:

Seven's Utility Beam provides a simple single tool support for accessories such as cable harnesses and dividing screens, while preventing deflection of the surface and providing remarkable lateral stability to the workstation.



## DIVIDING SCREEN / MODESTY SHIELD

Please refer to Fusion desk-mounted privacy panels and M2 modesty shields for SEVEN screening options.

For assistance, contact Watson Customer Service at 800.426.1202.

## ADJUSTMENT OPTIONS

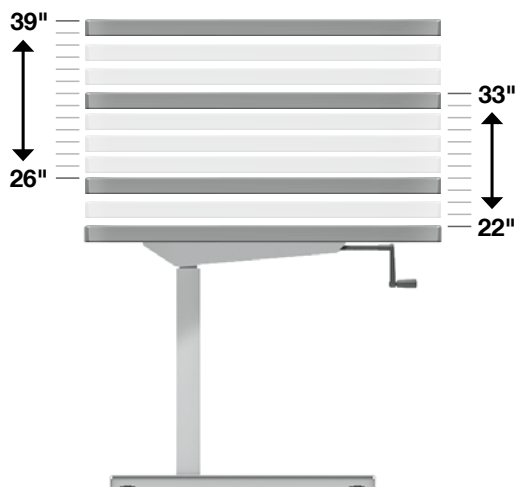
### DESIGN INTENT:

Seven tables are available in a 22"-33" (BIFMA compliant) height range, or a 26"-39" alternative range that allows for a counter style working height. Adjustment ranges can be specified as facility-adjustable or user-adjustable. Seven tables are also available at a standard fixed height of 29.5".

**Fixed Height:** Fixed height tables are set at a standard height of 29.5".

**Facility-adjustable:** Notch adjustable bases provide an 11" or 13" range of height adjustability in 1" increments utilizing a dual-notch telescoping mechanism.

**User-adjustable:** Front crank lift mechanisms provide an 11" or 13" range of height adjustability with 150 lbs of lifting capacity atop the work surface.



## ENVIRONMENTALLY PREFERRED MATERIALS

Designed and manufactured almost entirely of environmentally preferred materials, Seven contains a high level of recycled content and uses some of the industry's lowest-impact manufacturing processes. Seven products can also contribute to LEED certification credits and help customers meet their own corporate environmental standards.



For more information about Watson's environmental stewardship, or to read about Watson's award winning green program, please visit [www.watsondesking.com/stewardship](http://www.watsondesking.com/stewardship).

### Adhesives

Low-VOC water-based adhesives

### Wood Substrate

92% recycled industrial by-product

### Laminate

GreenGuard Indoor Air Quality Certification with 20% recycled content

### Tackable Substrate

Recycled fiber board

### Textiles

100% recycled content



### Worksurface Edge

These are synthetic edges made of an extruded 3mm thick ABS, with a durometer chosen for its flexibility, durability and self healing properties.

### Bases

Cold-rolled steel, 89.7% recycled, 100% recyclable



## MATERIALS & SPECIFICATIONS

### DESK COMPONENTS

#### Seven Legs

Top support brackets are 12-gauge cold rolled sheet steel. Powder coated. Crank handles are die cast zinc alloy and powder coated. Vertical tube assembly 2" x 2" and 1.5" x 1.5" (.083") thick steel welded to top support and foot. Glides are screwed into metal inserts that are welded into foot. Adjustment mechanism utilizes beveled gear lift assemblies in each leg connected by extruded aluminum shafts. 12-gauge formed utility beam interconnects all legs. Powder coated.

#### Worksurfaces

##### **Materials:**

Worksurfaces that are edged with a synthetic material are 1.25" thick and are composed of horizontal grades of laminate both sides (Power Adjustable Tables are only laminated on one side) and are bonded to a 1.125" industrial grade particleboard core. Watson particleboard is recovered from Douglas Fir. The longer strands of the Douglas Fir provide superior deflection characteristics.

Worksurface dimensions are net sized by .5" overall to allow for vertical movement without interference of plugs, wires, brackets and panels.

##### **Metal-to-Metal Connections:**

Desk surfaces are fastened to the legs with steel machine screws threaded into metal inserts on leg assembly. Cast zinc bezel provides compression surface.

##### **Built-in Cable Management:**

Horizontal: Hook and loop anchor points are provided as an option along length of utility beam.

Vertical: 16-gauge formed sheet metal vertical raceways are magnetically attached to the 2" x 2" vertical leg.

#### Edge

These are synthetic edges made of an extruded 3mm thick PVC, with a durometer chosen for its flexibility, durability and self healing properties.

### ACCESSORIES

#### Dividing Screens & Modesty Shields

For desk-mounted privacy options, contact Watson Customer Service at 800.426.1202.

# WATSON TERMS & CONDITIONS

## Terms of Sale

This Price List and these Terms of Sale supercede all previous price lists and terms. These prices and terms are subject to change without notice.

## Prices

List prices include freight costs as specified below. No other charges are included in Watson's list prices unless otherwise specified in writing.

## Terms of Payment

Terms of payment will be established based on the credit rating and credit information provided by and for specific customers. Orders are invoiced at time of shipment. Standard payment terms are 50/50; 50% due at time of order and 50% due at time of shipment. Approved credit levels may be extended to net thirty (30).

Past due accounts will be charged the lesser of 1.5% per month or the highest rate permitted by law plus all collection costs, including reasonable attorney's fees and expenses.

## Taxes

The Customer shall pay all sales, use, excise and other taxes applicable to the sale. Resale and/or exemption certificates must be forwarded to Watson at the time of order.

## Order Acceptance

All orders must be submitted in writing. Watson does not accept an order until the order is verified complete by a Watson Project Manager, which will include price information and anticipated arrival date. The Order Confirmation is the final expression of the contract between the Customer and Watson.

## Order Changes and Cancellations

Purchase orders may not be changed or cancelled, in whole or in part, without prior written consent of Watson. Changes may effect delivery dates. Expenses incurred because of changes will be charged to Customer. In the event of cancellations, Customer will be liable for reasonable cancellation charges established by Watson. Orders for customized products, custom finishes and Customer's Own Material (COM) items, hereinafter defined, may not be cancelled.

## Returns

The return of Products without a written authorization by Watson shall not be accepted. If Watson agrees to repurchase the product pursuant to a valid authorization, the Customer must return the Product freight prepaid to Watson. The returned product shall be subject to a 25% of list restocking charge. All returned Products must be unused and in original condition.

Watson will not accept returns on orders that include COM materials.

## Landed Freight Program

### Order Minimums

Order minimums have been determined to help us accurately compensate for our freight expenses on low-volume orders. Minimum order and freight charge rates for all territories\* have been specified below by zone.

*\* Overseas and non-contiguous US shipments made to a prearranged departure port in any zone, will adhere to the defined order minimum and freight charges in that zone; carton packing charges may also apply to overseas shipments.*

### ZONE 1 (Local)

*Seattle, Bellevue, Tacoma, Kitsap County, and the surrounding Puget Sound area*

- For all orders less than \$10,000 list, a freight charge of 5% list will be applied; fuel surcharges do not apply to these orders.

### ZONE 2

*WA, OR, and CA*

- For all orders less than \$15,000 list, a freight charge of 5% list will be applied; fuel surcharges do not apply to these orders.

### ZONE 3

*Contiguous US and Canada outside of WA, OR, and CA*

- For all orders less than \$15,000 list, a freight charge of 10% list will be applied; fuel surcharges do not apply to these orders.

### Variable Fuel Surcharge

A Variable Fuel Surcharge will be applied to all orders over the established minimum order in each freight zone. The variable fuel surcharge (currently 3.6% of net) reflects fuel surcharge costs that our carriers charge, and will be applied to the order as follows: net price total of products multiplied by the variable fuel surcharge. Updated monthly, the Variable Fuel Surcharge rate is subject to change and should be confirmed at the time of quote.

To view the Variable Fuel Surcharge and zone map online, please visit [www.watsondesking.com/terms](http://www.watsondesking.com/terms).

## Shipping Program

Watson Furniture Group employs an environmentally friendly shipping program that reduces costs and helps ensure furniture is delivered in the same condition as it left the factory. This careful handling may occasionally lengthen shipping times on LTL shipments.

### Blanket wrap

This environmentally preferred process eliminates waste and reduces installation time associated with package removal and disposal.

### Air-ride

Watson utilizes carriers whose trailers are equipped with air-ride suspension to minimize vibration and avoid damage in transit.

### No cross docking

Once loaded on the truck, product will not be consolidated, moved, or off-loaded until the point of delivery.

At Watson's discretion and if it is determined in the best interest of customers, alternative shipping methods may be used. Special requests including special shipping methods, delivery outside normal hours (8 a.m. to 5 p.m. Monday through Friday), inside delivery, notification, etc. shall be subject to an additional charge to the customer.

## Claims

Risk of loss passes to Customer upon Watson's delivery of the product to the carrier. Product shortages and damage must be noted on delivery receipts at the time of receipt by the Customer or Customer's agent. If the carrier damaged the Product while in transit, the Customer has sole obligation of seeking any recourse against the appropriate carrier. Claims against Watson for shortages and errors must be made within seven (7) days of the date of delivery.

## Title

Title to the Product shall remain with Watson until the Product is fully paid for.

## Packaging

Worksurfaces and storage components are sent blanket wrapped. Frames are sent in cartons. The Customer may specify cartoning. To specify cartoning for all items add 5% of total list price

## WATSON TERMS & CONDITIONS (CONTINUED)

### Storage

Watson may transfer Product to storage at the Customer's risk and expense if the Customer is unable to take delivery of product as scheduled. Upon such transfer to storage, the Customer assumes risk of loss. Watson will invoice the Customer on a monthly basis for storage fees and the Customer will make payments in accordance with Watson's standard payment terms.

### Loss, Damage or Delay

Watson shall not be liable for any loss, damage or delay resulting from forces beyond its reasonable control including fire, flood, strike or other labor difficulty, act of God, inability to obtain necessary labor, materials, or manufacturing facilities from usual sources, failure of suppliers to meet their contractual obligations or due to any cause beyond its reasonable control.

In the event of any such delay, delivery will be postponed by such length of time as may be reasonably necessary to compensate for the delay.

### Customer's Own Material (COM)

Customers may request fabrics, surface materials, and powdercoats that are not standard to Watson's finish offering according to the guidelines below.

Watson Customer Service will apprise customers of any possible impact on lead times resulting from the use of off-card materials and finishes.

Watson shall not be responsible for the appearance or performance of any COM material and customer shall hold Watson harmless for any damages or losses arising out of, or related to, the use of the COM on the Product.

PRODUCT REPAIR OR REPLACEMENT IS THE CUSTOMER'S EXCLUSIVE REMEDY FOR ANY AND ALL PRODUCT DEFECTS.

COM orders cannot be cancelled and Watson will not accept product returns.

### Seven

#### Fabric

- All COM requests for special fabric must be tested and approved by Watson Furniture Group.
- A minimum sample of 3 yards must be submitted to Watson for testing.
- Watson will notify customer of test results within 5 business days and provide written approval and a COM request form.
- Upon approval, customer must provide production quantities of the approved fabric at least five days before production begins.
- No price adjustments will be made for customer-supplied fabric.

### Laminates

- Watson must approve all COM requests for laminates not listed on finish card.
- Non-specialty laminates from WilsonArt that are not on our finish card will be available subject to a \$500 list upcharge for recycling excess materials.
- For requests concerning all other vendors and all specialty laminates, please contact Customer Service, which will determine manufacturability, schedule, and pricing.
- Evaluation of requests will take no longer than three business days.
- Watson will contact laminate vendors directly to determine availability and lead times.
- Upon approval and order acknowledgement, Watson will purchase COM laminates and arrange delivery to facilitate the production schedule.

### Powder

- Customer must provide powder sample for testing.
- Upon approval, customer must provide production quantity powder three days in advance of scheduled beginning of production.
- No price adjustments will be made for customer supplied powder.

### Frames

Approval of COM orders for Frames panels will be subject to an additional two week lead time.

### Warranty

Watson warrants to the original Customer that the Products it manufactures are free of defects in craftsmanship and materials found during normal single shift (40 hour work week) usage of the products during the warranty period. Watson shall, upon prompt written notice, repair or replace, at its option and costs, the affected part or parts. All separate component parts not manufactured by Watson (keyboard mechanisms, power and data devices, etc.) shall be covered by the original manufacturer's warranty.

This warranty does not apply to:

- Damage caused by a carrier.
- Normal wear and tear.
- Defects caused by improper installation.
- COM or other third party materials applied to the products.
- Products subjected to improper use and conditions.
- Damage resulting from misuse, negligence, accident or alterations.

### Warranty Period

Five Years: Motors and other electrical components.  
Lifetime: All other components.

EXCEPT AS STATED ABOVE, WATSON MAKES NO EXPRESS OR IMPLIED WARRANTIES AS TO ANY PRODUCT AND IN PARTICULAR MAKES NO WARRANTY OF FITNESS FOR ANY PARTICULAR PRODUCT EXCEPT FOR USE AS STANDARD OFFICE FURNITURE. PRODUCT REPAIR OR REPLACEMENT IS THE CUSTOMER'S EXCLUSIVE REMEDY FOR ANY AND ALL PRODUCT DEFECTS.

The remedies provided above are the Customer's sole remedies for any failure of Watson to comply with its obligations regarding the workmanship of its products.

APRIL 2010

## FINISHES

Visit [www.watsondesking.com/finishes](http://www.watsondesking.com/finishes) for finish color representations or to order sample chips.

## FABRICS

## ANCHORAGE PATTERN

- 9B** Amber
- 9A** Angora
- 6D** Asteroid
- 9C** Coffee Bean
- 9U** Cumin
- 9D** Deep Water
- 6X** Fossil
- 9N** Goldenrod
- 9E** Goose
- 9R** Graphite
- 90** Green Olive
- 6H** Henna
- 9M** Midnight
- 9L** Mulberry
- 6Z** Onyx
- 6Q** Quarry Blue
- 9I** Red Delicious
- 6T** Slate
- 9S** Straw
- 9W** Willow

## DRIFT PATTERN

- ØR** Alabaster
- 1H** Chamois
- ØD** Dusty Miller
- ØI** Graphite
- 3K** Mocha
- 9P** Pebble
- 4T** Slate
- 7U** Sprout
- 3J** Storm

## SPRITE PATTERN

- 4U** Butter
- 2V** Harvest
- 7K** Khaki
- 4K** Kiwi
- 2I** Linen
- 4D** Powder
- 4B** Sherbet
- 7Y** Sky
- 2W** Snow

## 90 EDGES (3mm ABS)

- BK** Black
- CH** Charcoal
- JT** Jute
- GY** Satin Gray
- SG** Slate
- WL** White Linen

## POWDERCOAT

- BK** Black
- CH** Charcoal
- M2** Mica
- GY** Satin Gray
- SG** Slate
- WA** White Aluminum
- WL** White Linen

## SMARTGRAIN LAMINATES

Smartgrain laminates feature the polish and lux of a real wood veneer, with a subtle, narrow grain structure and higher gloss level. This gloss level (Glossometer reading of 38 compared to readings of 100 for High Gloss laminates and 10 for Matte laminates) provides a dramatic appearance but specifiers should be aware of the potential for increased fingerprinting.



## SMARTGRAIN LAMINATES (textured)

- JC** Amber Cherry\*
- A1** Asian Night\*
- A2** Asian Sand\*
- B8** Blond Echo\*
- C5** Colombian Walnut\*
- MO** Mambo
- DA** Madagascar\*
- QI** Monticello Maple\*
- RI** Rio
- TX** Studio Teak\*
- W1** Williamsburg Cherry\*
- X1** Xanadu\*

*\*Also available as a Standard Laminate, non-textured (see list on page 29).*

## FINISHES (CONT)

## STANDARD LAMINATES

<b>AB</b> Alabaster	<b>IQ</b> Gilded Marquetry	<b>NN</b> Natural Nebula	<b>YW</b> Wallaby
<b>A4</b> Almond Leather	<b>OJ</b> Golden Oak	<b>NJ</b> Natural Pear	<b>JB</b> Western Bronze
<b>AZ</b> Amazon	<b>G5</b> Granite	<b>KX</b> Natural Roca	<b>JI</b> Western Hills
<b>AC</b> Amber Cherry *	<b>GN</b> Graphite Nebula	<b>NT</b> Natural Tigris	<b>JR</b> Western Iron
<b>AN</b> Antique Brush	<b>RY</b> Green Legacy	<b>LY</b> Navy Legacy	<b>XW</b> Western Storm
<b>KQ</b> Antique Roca	<b>G4</b> Green Soapstone	<b>N1</b> Nepal Teak	<b>JU</b> Western Suede
<b>WQ</b> Antique White	<b>GT</b> Green Tigris	<b>UJ</b> Neutral Glace	<b>JQ</b> Western Tan
<b>JN</b> Asian Night *	<b>QT</b> Grey	<b>NW</b> New Age Oak	<b>JW</b> Western White
<b>JS</b> Asian Sand *	<b>GG</b> Grey Glace	<b>NE</b> Nickel Evolve	<b>W4</b> White
<b>UI</b> Asian Sun	<b>EG</b> Grey Mesh	<b>VJ</b> Nirvana	<b>XL</b> White Leather
<b>TI</b> Atlantis	<b>YN</b> Grey Nebula	<b>NR</b> North Sea	<b>EN</b> White Nebula
<b>OB</b> Bannister Oak	<b>GP</b> Grey Pampas	<b>OR</b> Ochre Roletta	<b>JH</b> White Sand
<b>BE</b> Beige	<b>H3</b> Harvest Maple	<b>OS</b> Oiled Soapstone	<b>EU</b> White Suede
<b>BN</b> Beige Nebula	<b>HZ</b> Haze	<b>OL</b> Olive Legacy	<b>WG</b> White Tigris
<b>EI</b> Beige Pampas	<b>HG</b> Heather Legacy	<b>OX</b> Oxide	<b>WC</b> Wild Cherry
<b>BI</b> Beigewood	<b>HE</b> Hollyberry	<b>AP</b> Pampas	<b>JL</b> Williamsburg Cherry *
<b>YB</b> Beryl Brush	<b>H1</b> Hunter Green	<b>OE</b> Pearl Soapstone	<b>MA</b> Windsor Mahogany
<b>IB</b> Biltmore Cherry	<b>HN</b> Hunter Nebula	<b>PJ</b> Pebble	<b>WI</b> Windswept
<b>BK</b> Black	<b>HU</b> Huntington Maple	<b>PR</b> Pepperdust	<b>WB</b> Windswept Bronze
<b>BJ</b> Blackstar Granite	<b>IN</b> Indigo	<b>PE</b> Pewter	<b>WP</b> Windswept Pewter
<b>EH</b> Blond Echo *	<b>IL</b> Iron Legacy	<b>PB</b> Pewter Brush	<b>WO</b> Woolamai Brush
<b>ZW</b> Brazilwood	<b>KA</b> Karratha Brush	<b>EP</b> Pewter Mesh	<b>DØ</b> Xanadu *
<b>BR</b> Brittany Blue	<b>KM</b> Kensington Maple	<b>PL</b> Platinum	
<b>BZ</b> Bronze Legacy	<b>KB</b> Khaki Brown	<b>PT</b> Port	
<b>BS</b> Brune Slate	<b>LB</b> Lapis Blue	<b>P4</b> Puma	
<b>BC</b> Burnished Chestnut	<b>LU</b> Larkspur	<b>UY</b> Putty	
<b>UE</b> Burnished Ember	<b>LJ</b> Light Beige	<b>R1</b> Radium Evolve	
<b>EM</b> Café Crème	<b>LR</b> Limber Maple	<b>RV</b> River Cherry	
<b>C6</b> Caldera Beige	<b>LT</b> Lithium Evolve	<b>RU</b> Rustic Slate	
<b>ZN</b> Canyon Zephyr	<b>LZ</b> Loden Zephyr	<b>L3</b> Sable Soapstone	
<b>GV</b> Carbon Evolve	<b>LO</b> Lodestone	<b>ST</b> Saffron Tigris	
<b>EJ</b> Carbon Mesh	<b>ZD</b> Madagascar *	<b>D1</b> Sand	
<b>OQ</b> Castle Oak	<b>OM</b> Manitoba Maple	<b>L4</b> Sanibel Maple	
<b>LD</b> Cloud	<b>UH</b> Maroochy Brush	<b>SV</b> Savoy Cherry	
<b>CN</b> Cloud Nebula	<b>DD</b> Mission Adobe	<b>DW</b> Shadow	
<b>ZL</b> Cloud Zephyr	<b>DL</b> Mission Glaze	<b>ZA</b> Shadow Zephyr	
<b>LQ</b> Colombian Walnut *	<b>DJ</b> Mission Sage	<b>M3</b> Shale Moonstone	
<b>VR</b> Copper Evolve	<b>DN</b> Mission Sand	<b>EE</b> Sheer Mesh	
<b>EX</b> Copper Mesh	<b>DQ</b> Mission Shadow	<b>M4</b> Sierra Marble	
<b>KR</b> Coral Roca	<b>XK</b> Mission Smoke	<b>S3</b> Silicon Evolve	
<b>ZQ</b> Crisp Zephyr	<b>IX</b> Mission Stone	<b>SG</b> Slate	
<b>CT</b> Curry Tigris	<b>DU</b> Mission Stucco	<b>S0</b> Solar Oak	
<b>DR</b> Dakota Ridge	<b>EZ</b> Misted Zephyr	<b>ZI</b> Spiced Zephyr	
<b>DZ</b> Desert Zephyr	<b>MW</b> Montana Walnut	<b>EK</b> Steel Mesh	
<b>DH</b> Designer White	<b>OH</b> Monterey Haze	<b>JO</b> Stratos	
<b>DG</b> Dove Grey	<b>MR</b> Monterey Storm	<b>DT</b> Studio Teak *	
<b>EO</b> English Oak	<b>MJ</b> Monterey Sun	<b>XE</b> Sunstone	
<b>ET</b> Evening Tigris	<b>MM</b> Monticello Maple *	<b>TH</b> Tan Echo	
<b>FQ</b> Fashion Grey	<b>OZ</b> Morro Zephyr	<b>TQ</b> Tan Soapstone	
<b>FH</b> Featherstone	<b>YD</b> Mystique Dawn	<b>QL</b> Tawny Legacy	
<b>QF</b> Figured Mahogany	<b>YU</b> Mystique Dusk	<b>KE</b> Terra Roca	
<b>LN</b> Flame Soapstone	<b>MQ</b> Mystique Marine	<b>TV</b> Titanium Evolve	
<b>F1</b> Fleece	<b>YA</b> Mystique Marsh	<b>KU</b> Tumbled Roca	
<b>FP</b> Fonthill Pear	<b>YL</b> Mystique Moonlight	<b>TE</b> Tungsten Evolve	
<b>F2</b> Fresco	<b>YO</b> Mystique Mount	<b>TW</b> Tuscan Walnut	
<b>FJ</b> Frosty White **	<b>YI</b> Mystique Night	<b>IZ</b> Twilight Zephyr	
<b>FM</b> Fusion Maple	<b>AO</b> Natural Almond	<b>VX</b> Verdi Oxide	
<b>VH</b> Galvan	<b>NL</b> Natural Legacy	<b>KV</b> Villa Roca	

\* Also available in Smartgrain finishes

\*\* Case and edge colors match, but are called White Linen (WL)

## NOTES

***For Customer Service Inquiries, please contact:***

**800.426.1202**

**360.394.1322** *fax*

[www.watsondesking.com](http://www.watsondesking.com)



WATSON DESKING

26246 Twelve Trees Lane NW  
Poulsbo, WA 98370

800.426.1202  
[www.watsondesking.com](http://www.watsondesking.com)



Watson Environmental Program  
Visit [www.watsondesking.com/stewardship](http://www.watsondesking.com/stewardship)